

THIS DRAWING IS UNPUBLISHED. RELEASED FOR PUBLICATION
 © COPYRIGHT - By - ALL RIGHTS RESERVED.

LOC	DIST	REVISIONS			
P	LTR	DESCRIPTION	DATE	DWN	APVD
HB	-				
B2		REVISED PER ECO-12-008675	29-MAR-11	RK	HMR
C		CHANGE TE LOGO; TERMINALS TOLERANCE CLARIFICATION; ECO-18-008295	30-MAY-18	TOD	K.T

D

D

C

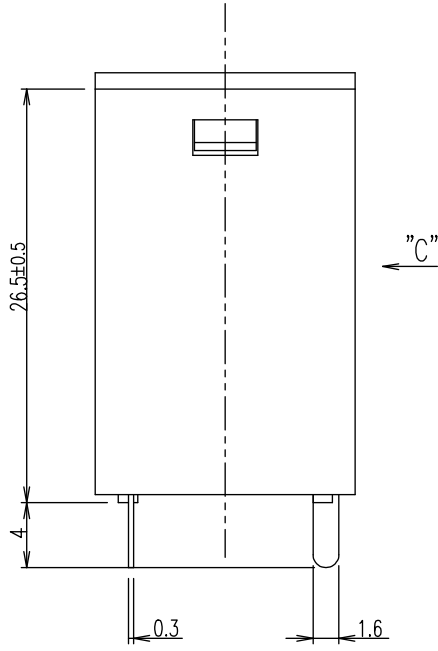
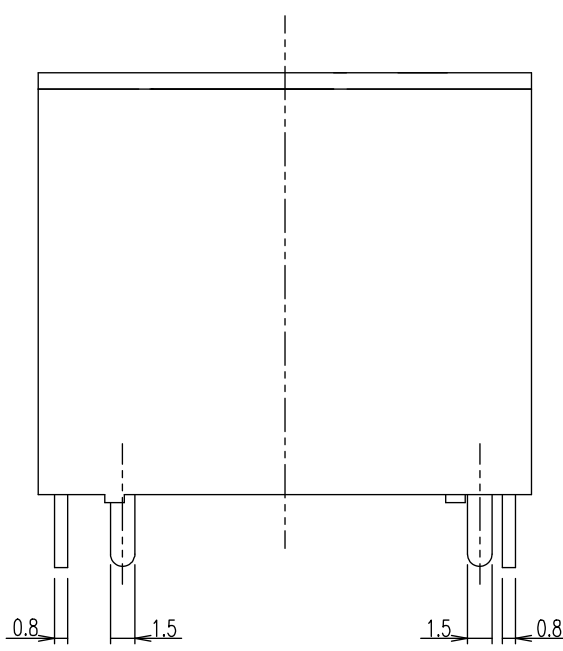
C

B

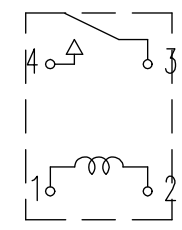
B

A

A



CONNECTION DIAGRAM



VIEW C

DRILLING DIAGRAM (BOTTOM VIEW)

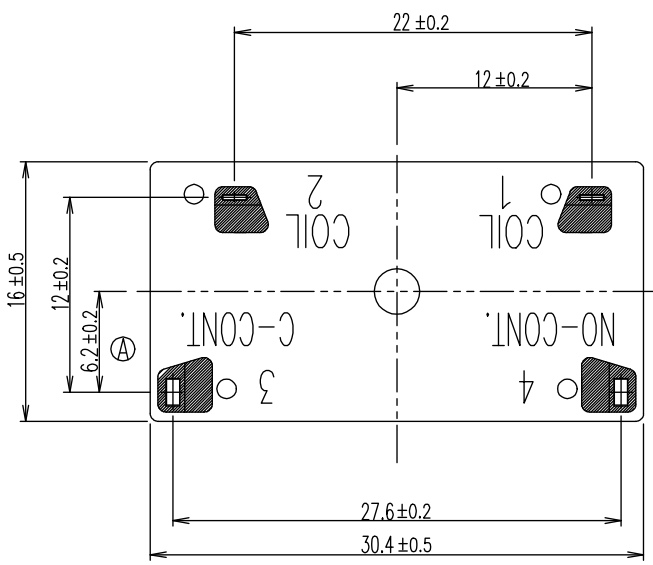
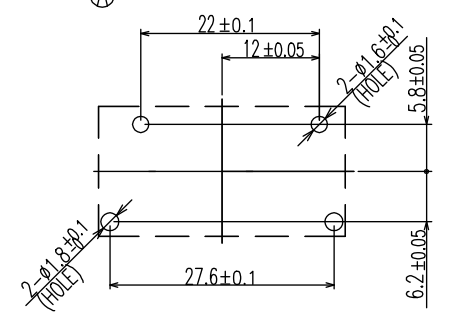
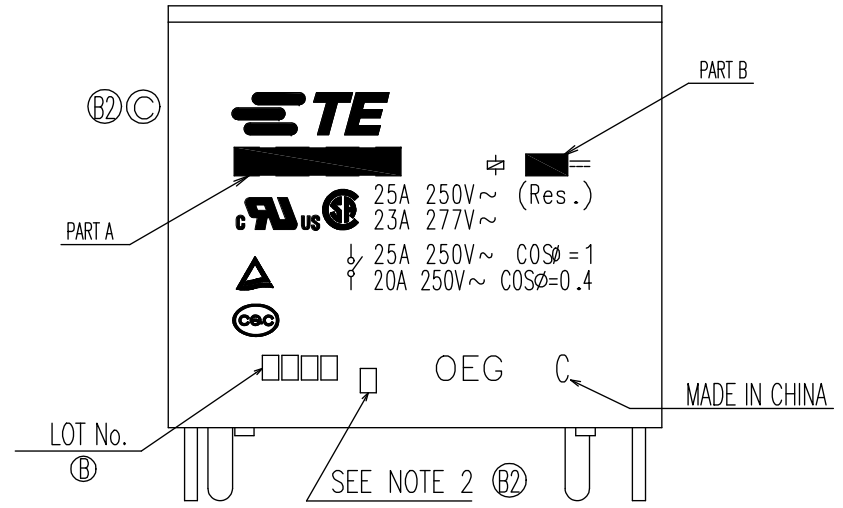


DIAGRAM DIMENSION	TOLERANCE
0.99mm MAX.	±0.1mm
1 - 2.99mm	±0.2mm
3mm MIN.	±0.3mm



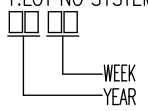
THIS DRAWING IS A CONTROLLED DOCUMENT.		DWN H.SASAKI		TE Connectivity	
		CHK Y.OIKAWA			
DIMENSIONS: mm		TOLERANCES UNLESS OTHERWISE SPECIFIED:		NAME	
		0 PLC ± -		APVD A.NAGAI	
		1 PLC ± -		PRODUCT SPEC	
		2 PLC ± -		APPLICATION SPEC	
		3 PLC ± -		WEIGHT	
4 PLC ± -		ANGLES ± -		SIZE	
MATERIAL		FINISH		CAGE CODE	
				DRAWING NO	
				RESTRICTED TO	
				A3 00779 C=1461193	
				SCALE 3:1 SHEET 1 OF 2 REV C	
				CUSTOMER DRAWING	

THIS DRAWING IS UNPUBLISHED. RELEASED FOR PUBLICATION
 © COPYRIGHT - By - ALL RIGHTS RESERVED.


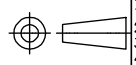
LOC	DIST	REVISIONS					
HB	-	P	LTR	DESCRIPTION	DATE	DWN	APVD
		-		SEE SHEET 1	-	-	-

(B2)	ACTIVE	3-1419153-5	PCFN-112D2M,000	12V	PCFN-112D2M	k
(B2)	OBSOLETE	1-1440008-8	PCFN-105D2M,000	5V	PCFN-105D2M	j
	ACTIVE	1461193-9	PCFN-124D2M,000	24V	PCFN-124D2M	i
	ACTIVE	1461193-8	PCFN-118D2M,000	18V	PCFN-118D2M	h
	ACTIVE	1461193-7	PCFN-109D2M,000	9V	PCFN-109D2M	g
	ACTIVE	1461193-6	PCFN-106D2M,000	6V	PCFN-106D2M	f
	ACTIVE	1461193-5	PCFN-148D2M,000	48V	PCFN-148D2M	e
(Q1)	OBSOLETE	1461193-4	PCFN-124D2M,000	24V	PCFN-124D2M	d
(Q1)	OBSOLETE	1461193-3	PCFN-118D2M,000	18V	PCFN-118D2M	c
(Q1)	OBSOLETE	1461193-2	PCFN-109D2M,000	9V	PCFN-109D2M	b
(Q1)	OBSOLETE	1461193-1	PCFN-106D2M,000	6V	PCFN-106D2M	a
	PN STATUS	PART NO	DESCRIPTION	PART B	PART A	ITEM

RELAY TYPE

- NOTE:
- (B) 1. LOT NO SYSTEM AS FOLLOWING:

 - (B2) 2. ONE CHARACTER DISTINGUISH THE LINE IDENTITY, SUCH AS: A, B...
 - (B2) 3. TERMINAL DIMENSION IS BEFORE SOLDER DIP.
 - (B2) 4. FOR THE TIN-PLATING OF THE PINS:
 +0.1mm FOR WIDTH, THICKNESS AND DIAMETER.
 +0.5mm FOR LENGTH.

		EPOXY RESIN	SEAL	17
		POLYURETHANE Cu WIRE	MAGNETIC WIRE	16
UL 94V-0		PPS	CARD	15
UL 94V-0		PBT	CASE	14
UL 94V-0		PBT	BASE	13
UL 94V-0		PBT	BOBBIN	12
	SOLDER DIP	Cu ALLOY	COIL TERMINAL R	11
	SOLDER DIP	Cu ALLOY	COIL TERMINAL L	10
		STAINLESS	HINGE SPRING	9
		Ag ALLOY	STATIONARY CONTACT	8
		Ag ALLOY	MOVABLE CONTACT	7
	SOLDER DIP	Cu ALLOY	MOVABLE SPRING	6
	SOLDER DIP	Cu ALLOY	STATIONARY TERMINAL	5
	SOLDER DIP	Cu ALLOY	MOVABLE TERMINAL	4
	Ni PLATED	STEEL	CORE	3
	Ni PLATED	STEEL	ARMATURE	2
	Ni PLATED	STEEL	YOKE	1
INCOMBUSTIBILITY	TREATMENT	MATERIAL	DESCRIPTION	ITEM

THIS DRAWING IS A CONTROLLED DOCUMENT.		DWN H.SASAKI	 TE Connectivity		
		CHK Y.OIKAWA			
DIMENSIONS: mm	TOLERANCES UNLESS OTHERWISE SPECIFIED:	APVD A.NAGAI	NAME PCFN-D2M SPEC,000		
	0 PLC ± - 1 PLC ± - 2 PLC ± - 3 PLC ± - 4 PLC ± - ANGLES ± -	PRODUCT SPEC -	SIZE A3	CAGE CODE 00779	DRAWING NO C-1461193
MATERIAL	FINISH -	APPLICATION SPEC -	WEIGHT -	RESTRICTED TO -	
CUSTOMER DRAWING			SCALE 3:1	SHEET 2 of 2	REV C